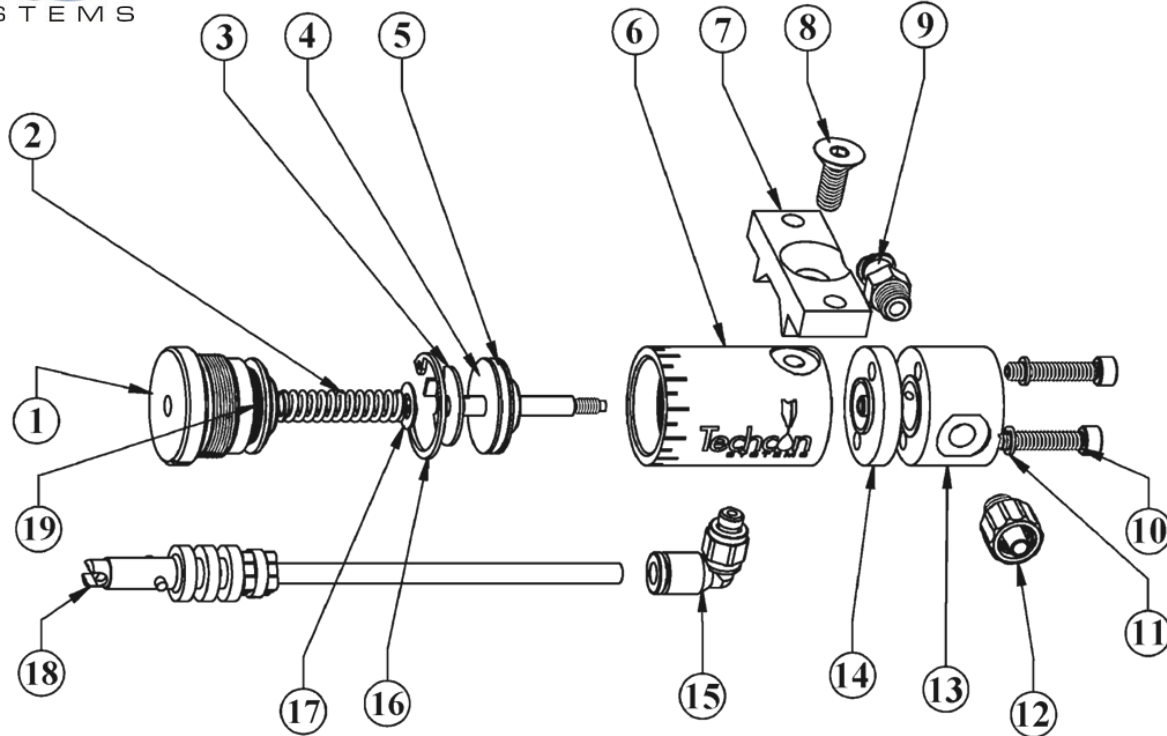


TS5620 Series Horizontal Diaphragm Valve



Diaphragm Kit = 5620TFE-DKIT (TS5620HT) or 5620UHMW-DKIT (TS5621VD/TS5620HU)

Includes 1 x 2, 5, 14 and 19

Fluid Housing Kit = 5620HT-FHKIT (TS5620HT) or 5621HD-FHKIT (TS5621HD) or 5620HU-FHKIT (TS5620HU)

Includes 1 x 9, 12, 13, 2 x 10 and 2 x 11 (No washers required for TS5621HD)

Lubrication: All O-Rings & seals must be lubricated with Bimba HT-99, or equivalent, with the exception of the Diaphragm, which must remain dry.

Body Mounting Screw Torque: Acetal (Delrin®) requires 14 in lb (1.58 N-m), UHMW requires 7 in lb (0.79

Item	Part Number	Description	Item	Part Number	Description
1	5620-000-004	End Cap	12	TSD931-60	Tip Adaptor for HT/HU Option
2	TSD1150-40	Spring	12*	TSD931-57	Tip Adaptor for TS5621HD
3	5620-000-006	Anti-Rotate Washer	13	5620HT-000-001	Fluid Housing for TS5620HT
4	5620-000-005	Piston	13*	5620-000-001	Fluid Housing for TS5620HU
5	TSD1400-016A	Piston O-Ring	13*	5621-000-001	Fluid Housing for TS5621HD
6	5620-000-003	Air Cylinder	14	5620-000-011	Diaphragm for TS5620HT
7	918-000-048	Mounting Bracket	14*	5620-000-002	Diaphragm for HD/HU Option
8	TSD1106-13	Mounting Screw	15	TSD1003-20	Air Fitting, 4mm, Elbow
9	TSD931-58	Inlet Adaptor For HT/HU Versions	16	TSD1120-11	Retaining Ring
9*	TSD931-54	Inlet Adaptor For TS5621HD	17	TSD1109-43	Mylar Washer
10	TSD1103-336	Fluid Housing Screw	18	A0100478	Air Hose/Connector Assy, 4mm
11	TSD1109-53	Flat Washer	19	TSD1400-111A	End Cap O-Ring