



Product Data Sheet

TS924 Series

Foot Valve Dispenser

The TS924 and TS924V dispensers offer the best of both worlds: increased production combined with dispenser economy.

Floor mounted, they have a built in pressure regulator, pressure gauge and a unique fast-dump, three-way air valve. Output rates and shot sizes are operator controlled.

The TS924 is the ideal basic dispensing unit for most general applications of adhesives, sealants, coatings and compounds.

The TS924V features a vacuum drawback to prevent very thin fluids from dripping and reduce tailing or stringing with thicker fluids.

The TS924 Series is an ideal choice of dispenser for applications where electricity is prohibited.

The dispenser is shipped with the following item:

- Air hose

TYPICAL APPLICATIONS

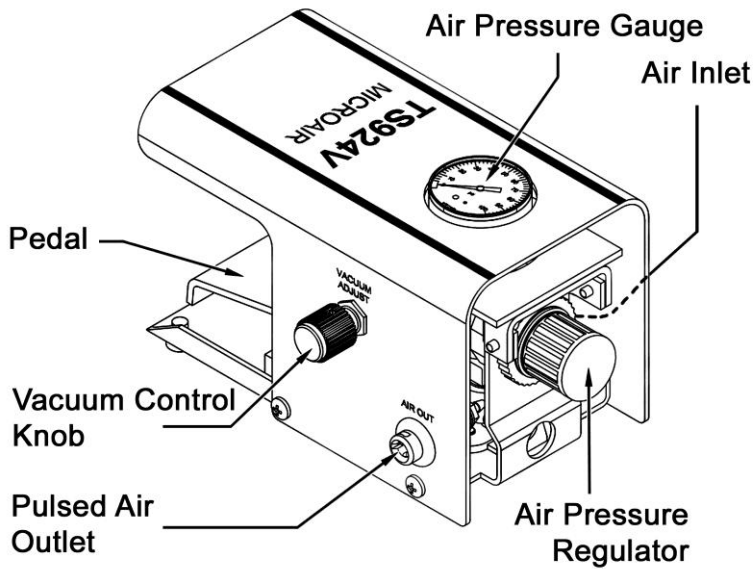
- Dispense dots of solder paste on PCBA pads
- Dispense UV adhesive in medical device applications
- Dispensing beads of grease for lubrication applications
- The transfer of fluids from cartridge to syringe barrel

KEY FEATURES AND BENEFITS

- Robust design
- Optional vacuum feature
- Full pneumatic operation
- Floor mounted



IDENTIFICATION OF FEATURES



The TS924 Series dispenser is designed for use under the work bench. For this reason, a 6ft (1.8m) receiver head assembly should be used. The optional SH-300 syringe assembly stand makes the perfect accompanying bench holder.



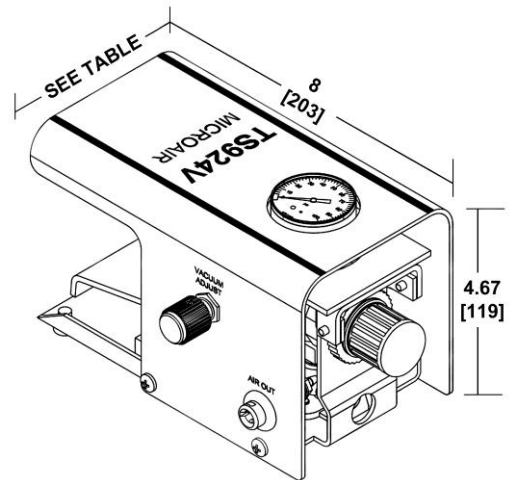
SPECIFICATIONS & PART NUMBERS

Part Number:	TS924	TS924V
Size (Imperial):	4.28" W x 8" L x 4.67" H	4.85" W x 8" L x 4.67" H
Size (Metric):	109mm x 203mm x 119mm	123mm x 203mm x 119mm
Weight:	2.6 lb (1200g)	2.6 lb (1200g)
Pressure Range:	0 to 100psi (0-6.9 bar)	0 to 100psi (0-6.9 bar)
Vacuum Force:	No vacuum ability	Up to 15" of Hg

ACCESSORIES

- **Syringe barrels:** The foot dispenser can be connected to any size, or color, syringe barrel. The syringe barrel is connected to a receiver head assembly which is the link between the dispenser and syringe barrel. Receiver head assemblies are available with 6ft (1.8m) air tubing and must be ordered separately.
- **Dispensing Tips:** Suitable for use with all tip series. For the complete dispensing tip offering please visit www.techconsystems.com

Dimensions are in inches [mm]



For Sales and Support:

Techcon Systems Corporate Headquarters,
12151 Monarch Street, Garden Grove,
California, 92841, USA.

Tel: 1-714-230-2398, Fax: 1-714-230-2393

E-mail: oemorders@okinternational.com

Techcon Systems European Corporate Office,
Eagle Close, Chandler's Ford Industrial Estate,
Eastleigh, Hampshire, SO53 4NF, UK.

Tel: +44 2380 489 100, Fax: +44 2380 489 109

E-mail: europa-orders@okinternational.com

Or visit www.techconsystems.com



LOCAL DISPENSING SOLUTIONS WORLDWIDE

Version 2.00